


L-48U/L-42U

User's manual

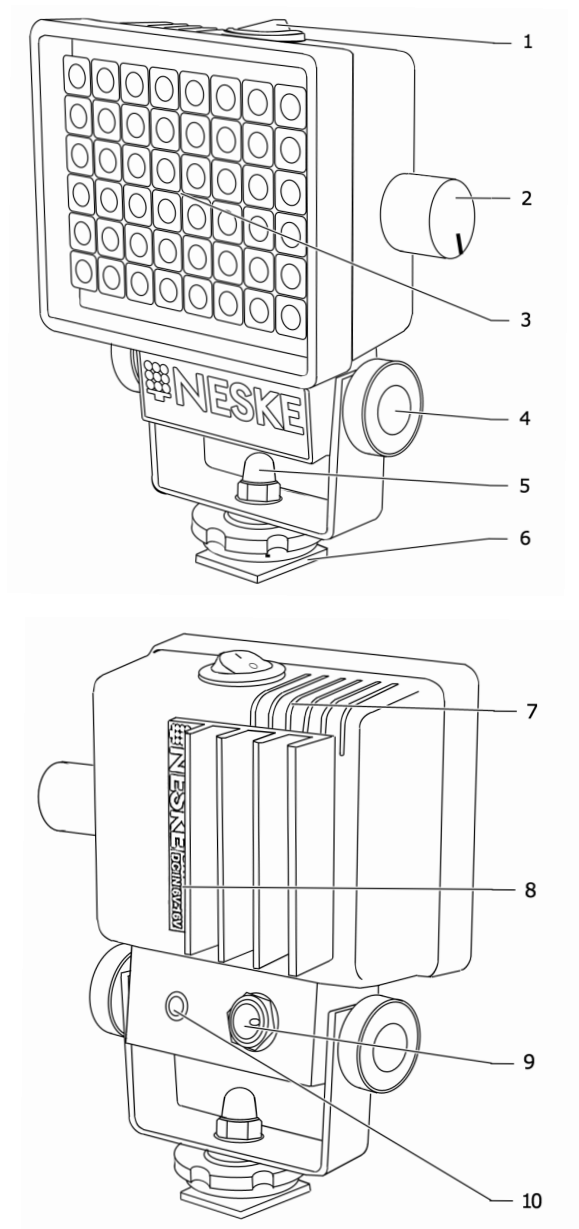
1. The use of the light

- The light is designed for mounting on a standard accessory shoe of the video camera, camcorder, DSLR camera or as a free-standing illuminator.

2. Power options

- The light can be powered from a battery or other DC source (any voltage in the range of 6V - 16V). 
- The light is protected from damage when installed in reverse polarity voltage.

3. Operation and features



1. Power switch
2. Dimmer dial
3. Light panel
4. Angle lock
5. Pressure nut
6. Shoe
7. Ventilation holes
8. Serial number
9. External brightness controller input
10. Power socket

4. Using the connectors

- In cameras with LCD placed near the hot shoe, so as not to block the opening of the display, remove the pressure nut (Fig. 10) and put the same shoe into the provided hole in the connector of the battery adapter, or use a small connector contained in the set.
- When using the light on the DSLR camera so as not to block the viewfinder put the same shoe in the right hole or loosen the pressure nut (Fig. 10) and turn the connector of the battery adapter by 90° (so that the battery adapter was placed on the side of the lamp, by the external controller inputs).

NOTE: After you made adjustments, tighten back the pressure nut.

5. Smooth brightness adjustment

- Setting the dimmer dial to "minimum" reduces power consumption to zero (there is no the need to use switch after every shot to turn off the light).
- The light does not flicker in the whole range of adjustment.

9. Contraindications

- Do not connect a higher voltage than specified.
- Do not block ventilation holes.
- Do not wash the housing with alcohol or other solvents.

In the case of water damage, disconnect the power, and do not turn on until dry.

7. External brightness controller

- When connecting the controller, light should be turned off (with a switch) or disconnected from the power source - otherwise there is a possibility of damaging the lamp.
- After connecting the external controller, the internal dial becomes inactive (when the NRC-03 is connected, the adjustment can be done only by using the controller).
- After connecting the NRC-03 controller to L-48u/L-42u the color LED stays inactive.

11. Battery charge status

NOTE

- Battery charge status works only with 7,2V-7,4V rated voltage Li-Ion batteries.
- Connecting higher voltage will damage the charge status.
- The status indicates while pressing the button on the back of the battery adapter.

SIGNAL	MEANING
All the red LEDs are blinking	The battery is charged to dangerously high voltage (unsafe to the battery)
All the red LEDs lit continuously	100% battery charge
Three red LEDs lit continuously	80% battery charge
Two red LEDs lit continuously	60% battery charge
One red LED lit continuously	40% battery charge
None of the red LEDs lit	About 20% battery charge (time to change the battery)
One (the lowest) red LED blinks	Too low battery voltage (unsafe to the battery)

12. L-48u Specifications

Color temperature:	5600K
Dimmer:	0% - 100%
Angle of light beam:	100°
Frame coverage (16:9):	Full
Amount of light sources:	192
Light source durability:	to 50 000 h
Equivalent to a tungsten light:	60 W
Luminance from 2ft (0,6m) distance:	1450 lx
Luminance from 1m distance:	530 lx
Luminance from 4ft (1,2m) distance:	380 lx
Luminance from 6ft (1,8m) distance:	180 lx
Maximum current draw at 6V	2,10 A
Energy conversion efficiency:	~ 95%
NRC-03 range:	to (80 ft) 25 m
Voltage:	6V - 16V
Lamp holder:	tiltable
Size: 3.0x2,5x2.0 in (75x65x50 mm) Weight:	0,4 lbs (180g)

13. L-42u Specifications

Color temperature:::	5600K
Dimmer:	0% - 100%
Angle of light beam:	100°
Frame coverage (16:9):	Full
Amount of light sources:	168
Light source durability:	to 50 000 h
Equivalent to a tungsten light:	50 W
Luminance from 2ft (0,6m) distance:	1225 lx
Luminance from 1m distance:	465 lx
Luminance from 4ft (1,2m) distance:	335 lx
Luminance from 6ft (1,8m) distance:	150 lx
Maximum current draw at 6V	1,85 A
Energy conversion efficiency:	~ 95%
NRC-03 range:	to (80 ft) 25 m
Voltage:	6V - 16V
Lamp holder:	tiltable
Size:	3.0x2,5x2.0 in (75x65x50 mm)
Weight:	0,4 lbs (180g)



www.neske.eu
info@neske.eu